

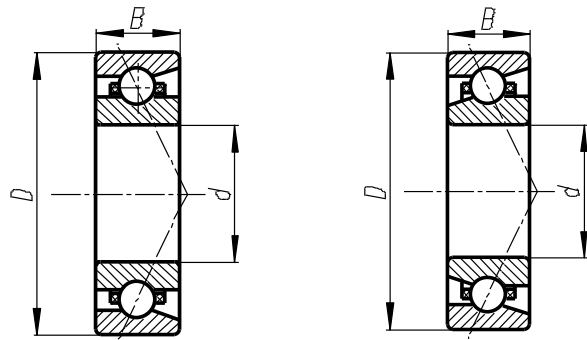


*Angular Contact Ball Bearings*

| 718标准系列 | 719标准系列 | 719高速系列 | 72标准系列 | 70标准系列 | 70高速系列 | 各类高速双密封系列   |
|---------|---------|---------|--------|--------|--------|-------------|
| 71806   | 71906   | H71907  | 7206   | 7006   | H7006  | H71906C-2RZ |
| 71807   | 71907   | H71908  | 7207   | 7007   | H7007  | H71907C-2RZ |
| 71808   | 71908   | H71909  | 7208   | 7008   | H7008  | H71908C-2RZ |
| 71809   | 71909   | H71910  | 7209   | 7009   | H7009  | H71909C-2RZ |
| 71810   | 71910   | H71911  | 7210   | 7010   | H7010  | H71910C-2RZ |
| 71811   | 71911   | H71912  | 7211   | 7011   | H7011  | H71911C-2RZ |
| 71812   | 71912   | H71913  | 7212   | 7012   | H7012  | H71912C-2RZ |
| 71813   | 71913   | H71914  | 7213   | 7013   | H7013  | H71913C-2RZ |
| 71814   | 71914   | H71915  | 7214   | 7014   | H7014  | H71914C-2RZ |
| 71815   | 71915   | H71916  | 7215   | 7015   | H7015  | H71915C-2RZ |
| 71816   | 71916   | H71917  | 7216   | 7016   | H7016  | H71916C-2RZ |
| 71817   | 71917   | H71918  | 7217   | 7017   | H7017  | H71917C-2RZ |
| 71818   | 71918   | H71919  | 7218   | 7018   | H7018  | H71918C-2RZ |
| 71819   | 71919   | H71920  | 7219   | 7019   | H7019  | H71919C-2RZ |
| 71820   | 71920   | H71921  | 7220   | 7020   | H7020  | H71920C-2RZ |
| 71821   | 71921   | H71922  | 7221   | 7021   | H7022  | H71922C-2RZ |
| 71822   | 71922   | H71924  | 7222   | 7022   | H7024  | H71924C-2RZ |
| 71824   | 71924   | H71926  | 7224   | 7024   | B7044  | H71926C-2RZ |
| 71826   | 71926   | H71928  | 7226   | 7026   |        | H71928C-2RZ |
| 71828   | 71928   | B71936  | 7228   | 7028   | 35BNR  | H7006C-2RZ  |
| 71830   | 71930   | B71952  | 7230   | 7030   | 40BNR  | H7007C-2RZ  |
| 71832   | 71932   |         | 7232   | 7032   | 45BNR  | H7008C-2RZ  |
| 71834   | 71934   |         | 7234   | 7034   | 50BNR  | H7009C-2RZ  |
| 71836   | 71936   |         | 7236   | 7036   | 55BNR  | H7010C-2RZ  |
| 71838   | 71938   |         | 7238   | 7038   | 60BNR  | H7011C-2RZ  |
| 71840   | 71940   |         | 7240   | 7040   | 65BNR  | H7012C-2RZ  |
| 71844   | 71944   |         |        | 7044   | 70BNR  | H7013C-2RZ  |
| 71848   | 71948   |         |        | 7048   | 80BNR  | H7014C-2RZ  |
| 71852   | 71952   |         |        | 7052   | 90BNR  | H7015C-2RZ  |
| 71856   | 71956   |         |        | 7056   | 100BNR | H7016C-2RZ  |
| 71860   | 71960   |         |        |        | 110BNR | H7017C-2RZ  |
| 71864   | 71964   |         |        |        | 120BNR | H7018C-2RZ  |
| 71868   | 71968   |         |        |        | 85BAR  | H7019C-2RZ  |
| 71872   |         |         |        |        | 100BAR | H7020C-2RZ  |
| 71876   |         |         |        |        | 110BAR | H7024C-2RZ  |
|         |         |         |        |        | 120BAR | H7026C-2RZ  |
|         |         |         |        |        | 130BAR | H7028C-2RZ  |
|         |         |         |        |        | 160BAR |             |



Angular Contact Ball Bearings



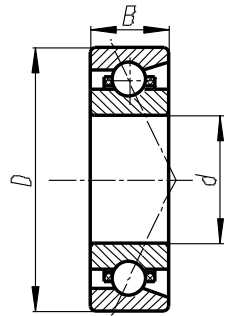
7000C (AC)

H 7000C (AC) (/HQ1)

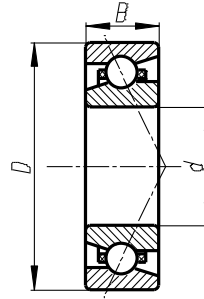
| Dimension |          |          | $\alpha = 15^\circ$ (C) |                       |               |       | $\alpha = 25^\circ$ (AC) |                       |               |       | bearing model |
|-----------|----------|----------|-------------------------|-----------------------|---------------|-------|--------------------------|-----------------------|---------------|-------|---------------|
|           |          |          | Rated load              |                       | Maximum speed |       | Rated load               |                       | Maximum speed |       |               |
| <i>d</i>  | <i>D</i> | <i>B</i> | <i>C<sub>r</sub></i>    | <i>C<sub>0r</sub></i> | grease        | oil   | <i>C<sub>r</sub></i>     | <i>C<sub>0r</sub></i> | grease        | oil   |               |
| mm        |          |          | KN                      |                       | r/min         |       | KN                       |                       | r/min         |       |               |
| 35        | 47       | 7        | 4.6                     | 5.5                   | 26000         | 40000 | 4.3                      | 5.2                   | 24000         | 38000 | 71807         |
|           | 55       | 10       | 11                      | 10.9                  | 26000         | 40000 | 10.4                     | 10.3                  | 20000         | 34000 | 71907         |
|           | 55       | 10       | 7.7                     | 5.4                   | 36000         | 53000 | 7.4                      | 5.1                   | 30000         | 45000 | H71907        |
|           | 55       | 10       | 7.7                     | 5.4                   | 40000         | 60000 | 7.4                      | 5.1                   | 34000         | 50000 | H71907/HQ1    |
|           | 62       | 14       | 19.3                    | 17.5                  | 20000         | 34000 | 18.3                     | 16.6                  | 19000         | 32000 | 7007          |
|           | 62       | 14       | 11.2                    | 7.9                   | 34000         | 50000 | 10.7                     | 7.5                   | 30000         | 45000 | H7007         |
|           | 62       | 14       | 11.2                    | 7.9                   | 38000         | 56000 | 10.7                     | 7.5                   | 34000         | 50000 | H7007/HQ1     |
| 40        | 52       | 7        | 4.8                     | 6.2                   | 24000         | 38000 | 4.5                      | 5.8                   | 20000         | 34000 | 71808         |
|           | 62       | 12       | 14                      | 14.2                  | 20000         | 34000 | 13.3                     | 13.5                  | 18000         | 30000 | 71908         |
|           | 62       | 12       | 9.8                     | 7.0                   | 30000         | 45000 | 9.3                      | 6.6                   | 26000         | 40000 | H71908        |
|           | 62       | 12       | 9.8                     | 7.0                   | 34000         | 50000 | 9.3                      | 6.6                   | 28000         | 43000 | H71908/HQ1    |
|           | 68       | 15       | 19.9                    | 19.1                  | 19000         | 32000 | 18.9                     | 18.2                  | 17000         | 28000 | 7008          |
|           | 68       | 15       | 12.5                    | 9.1                   | 28000         | 43000 | 11.1                     | 8.6                   | 24000         | 38000 | H7008         |
|           | 68       | 15       | 12.5                    | 9.1                   | 34000         | 50000 | 11.1                     | 8.6                   | 28000         | 43000 | H7008/HQ1     |
| 45        | 58       | 7        | 4.9                     | 6.7                   | 20000         | 34000 | 4.6                      | 6.3                   | 18000         | 30000 | 71809         |
|           | 68       | 12       | 14.7                    | 16.1                  | 18000         | 30000 | 13.9                     | 15.2                  | 17000         | 28000 | 71909         |
|           | 68       | 12       | 10.3                    | 7.7                   | 26000         | 40000 | 9.7                      | 7.3                   | 22000         | 36000 | H71909        |
|           | 68       | 12       | 10.3                    | 7.7                   | 28000         | 43000 | 9.7                      | 7.3                   | 26000         | 40000 | H71909/HQ1    |
|           | 75       | 16       | 26.7                    | 25.3                  | 17000         | 28000 | 25.4                     | 24.1                  | 16000         | 26000 | 7009          |
|           | 75       | 16       | 13.1                    | 10.2                  | 24000         | 38000 | 12.5                     | 9.7                   | 22000         | 36000 | H7009         |
|           | 75       | 16       | 13.1                    | 10.2                  | 28000         | 43000 | 12.5                     | 9.7                   | 26000         | 40000 | H7009/HQ1     |
| 50        | 65       | 7        | 7.4                     | 10                    | 18000         | 30000 | 6.9                      | 9.5                   | 16000         | 26000 | 71810         |
|           | 72       | 12       | 19                      | 21.2                  | 17000         | 28000 | 17.9                     | 20.1                  | 15000         | 24000 | 71910         |
|           | 72       | 12       | 13.2                    | 10.2                  | 22000         | 36000 | 12.5                     | 9.5                   | 19000         | 32000 | H71910        |



Angular Contact Ball Bearings



7000C (AC)

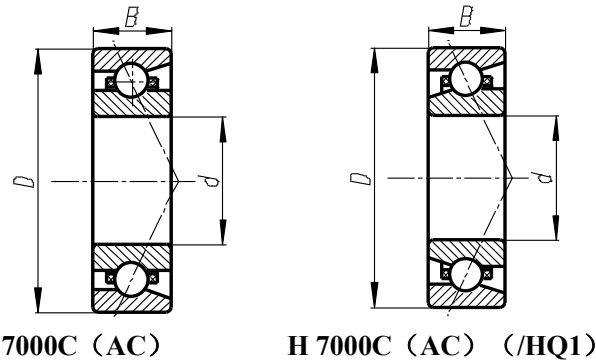


H 7000C (AC) (HQ1)

| Dimension |          |          | $\alpha = 15^\circ$ (C) |                       |               |       | $\alpha = 25^\circ$ (AC) |                       |               |            | bearing model |
|-----------|----------|----------|-------------------------|-----------------------|---------------|-------|--------------------------|-----------------------|---------------|------------|---------------|
|           |          |          | Rated load              |                       | Maximum speed |       | Rated load               |                       | Maximum speed |            |               |
| <i>d</i>  | <i>D</i> | <i>B</i> | <i>C<sub>r</sub></i>    | <i>C<sub>0r</sub></i> | grease        | oil   | <i>C<sub>r</sub></i>     | <i>C<sub>0r</sub></i> | grease        | oil        |               |
| mm        |          |          | KN                      |                       | r/min         |       | KN                       |                       | r/min         |            |               |
| 50        | 72       | 12       | 13.2                    | 10.2                  | 26000         | 40000 | 12.5                     | 9.5                   | 22000         | 36000      | H71910/HQ1    |
| 80        | 16       | 27.6     | 27.5                    | 16000                 | 26000         | 26.2  | 26.2                     | 15000                 | 24000         | 7010       |               |
| 80        | 16       | 15.5     | 12.2                    | 20000                 | 34000         | 14.8  | 11.5                     | 18000                 | 30000         | H7010      |               |
| 80        | 16       | 15.5     | 12.2                    | 24000                 | 38000         | 14.8  | 11.5                     | 20000                 | 34000         | H7010/HQ1  |               |
| 55        | 72       | 9        | 10.2                    | 13.8                  | 16000         | 26000 | 9.6                      | 13.1                  | 15000         | 24000      | 71811         |
| 80        | 13       | 23.7     | 27.4                    | 15000                 | 24000         | 22.4  | 26                       | 14000                 | 22000         | 71911      |               |
| 80        | 13       | 16.2     | 12.5                    | 19000                 | 32000         | 15.2  | 11.8                     | 16000                 | 26000         | H71911     |               |
| 80        | 13       | 16.2     | 12.5                    | 22000                 | 36000         | 15.2  | 11.8                     | 22000                 | 36000         | H71911/HQ1 |               |
| 90        | 18       | 36.7     | 37.1                    | 14000                 | 22000         | 34.8  | 35.3                     | 13000                 | 20000         | 7011       |               |
| 90        | 18       | 17.2     | 14.5                    | 19000                 | 32000         | 16.2  | 13.8                     | 17000                 | 28000         | H7011      |               |
| 90        | 18       | 17.2     | 14.5                    | 22000                 | 36000         | 16.2  | 13.8                     | 19000                 | 32000         | H7011/HQ1  |               |
| 60        | 78       | 10       | 13.4                    | 18.0                  | 15000         | 24000 | 12.6                     | 17.0                  | 14000         | 22000      | 71812         |
| 85        | 13       | 24.8     | 30.3                    | 14000                 | 22000         | 23.3  | 28.7                     | 13000                 | 20000         | 71912      |               |
| 85        | 13       | 16.5     | 13.8                    | 18000                 | 30000         | 15.8  | 13.2                     | 15000                 | 24000         | H71912     |               |
| 85        | 13       | 16.5     | 13.8                    | 19000                 | 32000         | 15.8  | 13.2                     | 20000                 | 34000         | H71912/HQ1 |               |
| 95        | 18       | 37.8     | 40                      | 14000                 | 22000         | 35.8  | 38                       | 12000                 | 19000         | 7012       |               |
| 95        | 18       | 17.2     | 15.2                    | 18000                 | 30000         | 16.2  | 14.5                     | 15000                 | 24000         | H7012      |               |
| 95        | 18       | 17.2     | 15.2                    | 20000                 | 34000         | 16.2  | 14.5                     | 18000                 | 30000         | H7012/HQ1  |               |
| 65        | 85       | 10       | 13.4                    | 18.8                  | 14000         | 22000 | 12.6                     | 17.8                  | 13000         | 20000      | 71813         |
| 90        | 13       | 25.1     | 31.9                    | 13000                 | 20000         | 23.6  | 30.2                     | 12000                 | 19000         | 71913      |               |
| 90        | 13       | 16.8     | 14.5                    | 17000                 | 28000         | 16.2  | 13.8                     | 15000                 | 24000         | H71913     |               |
| 90        | 13       | 16.8     | 14.5                    | 19000                 | 32000         | 16.2  | 13.8                     | 17000                 | 28000         | H71913/HQ1 |               |
| 100       | 18       | 38.9     | 42.9                    | 13000                 | 20000         | 36.8  | 40.7                     | 11000                 | 18000         | 7013       |               |
| 100       | 18       | 20.2     | 18.5                    | 16000                 | 26000         | 19.2  | 17.5                     | 13000                 | 20000         | H7013      |               |



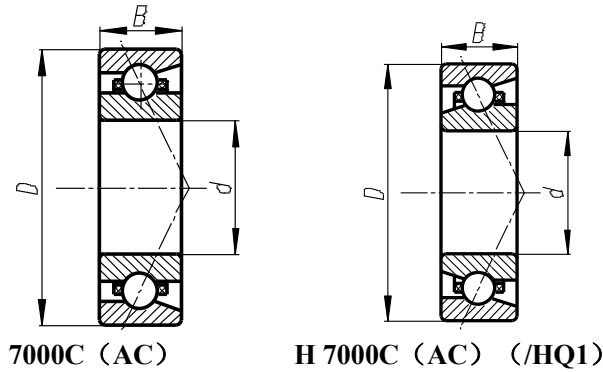
Angular Contact Ball Bearings



| Dimension |          |          | $\alpha = 15^\circ$ (C) |                       |               |       | $\alpha = 25^\circ$ (AC) |                       |               |            | bearing model |
|-----------|----------|----------|-------------------------|-----------------------|---------------|-------|--------------------------|-----------------------|---------------|------------|---------------|
|           |          |          | Rated load              |                       | Maximum speed |       | Rated load               |                       | Maximum speed |            |               |
| <i>d</i>  | <i>D</i> | <i>B</i> | <i>C<sub>r</sub></i>    | <i>C<sub>0r</sub></i> | grease        | oil   | <i>C<sub>r</sub></i>     | <i>C<sub>0r</sub></i> | grease        | oil        |               |
| mm        |          |          | KN                      |                       | r/min         |       | KN                       |                       | r/min         |            |               |
| 65        | 100      | 18       | 20.2                    | 18.5                  | 19000         | 32000 | 19.2                     | 17.5                  | 15000         | 24000      | H7013/HQ1     |
| 70        | 90       | 10       | 13.8                    | 20.3                  | 13000         | 20000 | 13.0                     | 19.1                  | 12000         | 19000      | 71814         |
| 100       | 16       | 34.5     | 43.4                    | 12000                 | 19000         | 32.6  | 41.2                     | 11000                 | 18000         | 71914      |               |
| 100       | 16       | 20.8     | 17.8                    | 16000                 | 26000         | 19.8  | 16.8                     | 13000                 | 20000         | H71914     |               |
| 100       | 16       | 20.8     | 17.8                    | 19000                 | 32000         | 19.8  | 16.8                     | 17000                 | 28000         | H71914/HQ1 |               |
| 110       | 20       | 49.9     | 55.5                    | 12000                 | 19000         | 47.2  | 52.7                     | 10000                 | 17000         | 7014       |               |
| 110       | 20       | 24.2     | 21.5                    | 15000                 | 24000         | 22.5  | 20.2                     | 13000                 | 20000         | H7014      |               |
| 110       | 20       | 24.2     | 21.5                    | 18000                 | 30000         | 22.5  | 20.2                     | 15000                 | 24000         | H7014/HQ1  |               |
| 75        | 95       | 10       | 14.2                    | 21.7                  | 12000         | 19000 | 13.3                     | 20.5                  | 11000         | 18000      | 71815         |
| 105       | 16       | 25       | 45.6                    | 11000                 | 18000         | 33    | 43.2                     | 95000                 | 16000         | 71915      |               |
| 105       | 16       | 21.8     | 19.2                    | 15000                 | 24000         | 20.5  | 18.2                     | 13000                 | 20000         | H71915     |               |
| 105       | 16       | 21.8     | 19.2                    | 17000                 | 28000         | 20.5  | 18.2                     | 15000                 | 24000         | H71915/HQ1 |               |
| 115       | 20       | 51.3     | 59.2                    | 11000                 | 18000         | 48.5  | 56.2                     | 9500                  | 16000         | 7015       |               |
| 115       | 20       | 26.2     | 25.5                    | 14000                 | 22000         | 24.8  | 24.2                     | 12000                 | 19000         | H7015      |               |
| 115       | 20       | 26.2     | 25.5                    | 16000                 | 24000         | 24.8  | 24.2                     | 14000                 | 22000         | H7015/HQ1  |               |
| 80        | 100      | 10       | 14.5                    | 23.1                  | 11000         | 18000 | 13.6                     | 21.8                  | 9500          | 16000      | 71816         |
| 110       | 16       | 35.5     | 47.8                    | 10000                 | 17000         | 33.5  | 45.3                     | 9000                  | 15000         | 71916      |               |
| 110       | 16       | 22.5     | 20.8                    | 14000                 | 22000         | 21.2  | 19.5                     | 12000                 | 19000         | H71916     |               |
| 110       | 16       | 22.5     | 20.8                    | 16000                 | 26000         | 21.2  | 19.5                     | 14000                 | 24000         | H71916/HQ1 |               |
| 125       | 22       | 61.6     | 70.4                    | 10000                 | 17000         | 58.3  | 66.9                     | 9000                  | 15000         | 7016       |               |
| 125       | 22       | 34.2     | 32.8                    | 13000                 | 20000         | 32.5  | 31.2                     | 11000                 | 18000         | H7016      |               |
| 125       | 22       | 34.2     | 32.8                    | 15000                 | 24000         | 32.5  | 31.5                     | 13000                 | 20000         | H7016/HQ1  |               |
| 85        | 110      | 13       | 21.5                    | 32.2                  | 10000         | 17000 | 20.2                     | 30.5                  | 9000          | 15000      | 71817         |
| 120       | 18       | 46.5     | 61.9                    | 9500                  | 16000         | 43.8  | 58.6                     | 8500                  | 14000         | 71917      |               |



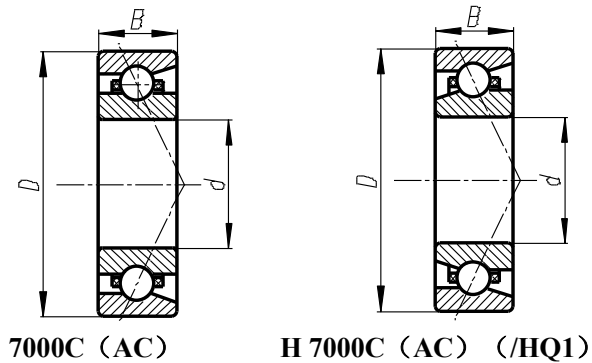
Angular Contact Ball Bearings



| Dimension |          |          | $\alpha = 15^\circ$ (C) |          |               |       | $\alpha = 25^\circ$ (AC) |          |               |       | bearing model |
|-----------|----------|----------|-------------------------|----------|---------------|-------|--------------------------|----------|---------------|-------|---------------|
|           |          |          | Rated load              |          | Maximum speed |       | Rated load               |          | Maximum speed |       |               |
| <i>d</i>  | <i>D</i> | <i>B</i> | $C_r$                   | $C_{0r}$ | grease        | oil   | $C_r$                    | $C_{0r}$ | grease        | oil   |               |
| mm        |          |          | KN                      |          | r/min         |       | KN                       |          | r/min         |       |               |
| 85        | 120      | 18       | 26.2                    | 24.2     | 13000         | 20000 | 24.8                     | 22.8     | 11000         | 18000 | H71917        |
|           | 120      | 18       | 26.2                    | 24.2     | 15000         | 24000 | 24.8                     | 22.8     | 13000         | 20000 | H71917/HQ1    |
|           | 130      | 22       | 63.3                    | 75       | 9500          | 16000 | 59.9                     | 71.3     | 8500          | 14000 | 7017          |
|           | 130      | 22       | 35.2                    | 35.2     | 12000         | 19000 | 33.2                     | 33.5     | 10000         | 17000 | H7017         |
|           | 130      | 22       | 35.2                    | 35.2     | 14000         | 22000 | 33.2                     | 33.5     | 12000         | 19000 | H7017/HQ1     |
| 90        | 115      | 13       | 21.7                    | 33.5     | 9500          | 16000 | 20.4                     | 31.6     | 8500          | 14000 | 71818         |
|           | 125      | 18       | 47.2                    | 64.8     | 9000          | 15000 | 44.5                     | 61.4     | 8000          | 13000 | 71918         |
|           | 125      | 18       | 27.2                    | 26.2     | 13000         | 20000 | 25.5                     | 24.5     | 11000         | 18000 | H71918        |
|           | 125      | 18       | 27.2                    | 26.2     | 15000         | 24000 | 25.5                     | 24.5     | 13000         | 20000 | H71918/HQ1    |
|           | 140      | 24       | 66.9                    | 84       | 9000          | 15000 | 63.2                     | 79.7     | 8000          | 13000 | 7018          |
|           | 140      | 24       | 36.5                    | 38.2     | 11000         | 18000 | 34.2                     | 36.2     | 9500          | 16000 | H7018         |
|           | 140      | 24       | 36.5                    | 38.2     | 13000         | 20000 | 34.2                     | 36.2     | 11000         | 18000 | H7018/HQ1     |
| 95        | 120      | 13       | 21.9                    | 34.7     | 9000          | 15000 | 20.6                     | 32.8     | 8500          | 14000 | 71819         |
|           | 130      | 18       | 47.9                    | 67.8     | 9000          | 15000 | 45.2                     | 64.1     | 8000          | 13000 | 71919         |
|           | 130      | 18       | 27.2                    | 26.8     | 12000         | 19000 | 25.8                     | 25.5     | 11000         | 18000 | H71919        |
|           | 130      | 18       | 27.2                    | 26.8     | 14000         | 22000 | 25.8                     | 25.5     | 13000         | 20000 | H71919/HQ1    |
|           | 145      | 24       | 79.1                    | 97.6     | 8500          | 14000 | 74.8                     | 92.7     | 7500          | 12000 | 7019          |
|           | 145      | 24       | 44.5                    | 45.2     | 10000         | 17000 | 41.8                     | 42.8     | 8500          | 14000 | H7019         |
|           | 145      | 24       | 44.5                    | 45.2     | 12000         | 19000 | 41.8                     | 42.8     | 10000         | 17000 | H7019/HQ1     |
| 100       | 125      | 13       | 22.5                    | 37.0     | 8500          | 14000 | 21.2                     | 34.9     | 8000          | 13000 | 71820         |
|           | 140      | 20       | 60.4                    | 84.4     | 8500          | 14000 | 56.9                     | 79.9     | 8000          | 13000 | 71920         |
|           | 140      | 20       | 40.2                    | 37.5     | 11000         | 18000 | 37.8                     | 35.5     | 9000          | 15000 | H71920        |
|           | 140      | 20       | 40.2                    | 37.5     | 13000         | 20000 | 37.8                     | 35.5     | 11000         | 18000 | H71920/HQ1    |
|           | 150      | 24       | 81.2                    | 103.3    | 8000          | 13000 | 76.7                     | 98       | 7000          | 11000 | 7020          |



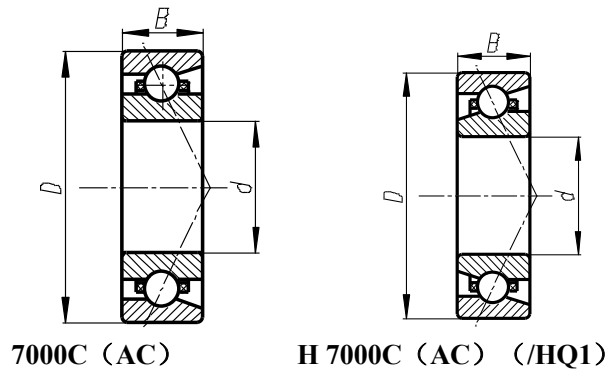
Angular Contact Ball Bearings



| Dimension |          |          | $\alpha = 15^\circ$ (C) |                       |               |       | $\alpha = 25^\circ$ (AC) |                       |               |       | bearing model |
|-----------|----------|----------|-------------------------|-----------------------|---------------|-------|--------------------------|-----------------------|---------------|-------|---------------|
|           |          |          | Rated load              |                       | Maximum speed |       | Rated load               |                       | Maximum speed |       |               |
| <i>d</i>  | <i>D</i> | <i>B</i> | <i>C<sub>r</sub></i>    | <i>C<sub>0r</sub></i> | grease        | oil   | <i>C<sub>r</sub></i>     | <i>C<sub>0r</sub></i> | grease        | oil   |               |
| mm        |          |          | KN                      |                       | r/min         |       | KN                       |                       | r/min         |       |               |
| 100       | 150      | 24       | 45.5                    | 48.2                  | 10000         | 17000 | 42.8                     | 44.8                  | 8500          | 14000 | H7020         |
|           | 150      | 24       | 45.5                    | 48.2                  | 12000         | 19000 | 42.8                     | 44.8                  | 10000         | 17000 | H7020/HQ1     |
| 105       | 130      | 13       | 22.7                    | 38.3                  | 8500          | 14000 | 21.3                     | 36.1                  | 8000          | 13000 | 71821         |
|           | 145      | 20       | 61.4                    | 88.2                  | 8000          | 13000 | 57.8                     | 83.5                  | 7500          | 12000 | 71921         |
|           | 145      | 20       | 40.8                    | 39.2                  | 10000         | 17000 | 38.5                     | 36.8                  | 8500          | 14000 | H71921        |
|           | 145      | 20       | 40.8                    | 39.2                  | 12000         | 19000 | 38.5                     | 36.8                  | 10000         | 17000 | H71921/HQ1    |
|           | 160      | 26       | 93.9                    | 118.2                 | 7500          | 12000 | 88.8                     | 112.2                 | 7000          | 11000 | 7021          |
|           | 160      | 26       | 46.2                    | 49.2                  | 9500          | 16000 | 43.2                     | 46.5                  | 8000          | 13000 | H7021         |
|           | 160      | 26       | 46.2                    | 49.2                  | 11000         | 18000 | 43.2                     | 46.5                  | 9000          | 15000 | H7021/HQ1     |
| 110       | 140      | 16       | 31.8                    | 51.6                  | 8000          | 13000 | 29.9                     | 48.7                  | 7500          | 12000 | 71822         |
|           | 150      | 20       | 62.3                    | 91.9                  | 7500          | 12000 | 58.7                     | 87                    | 7000          | 11000 | 71922         |
|           | 150      | 20       | 41.2                    | 40.5                  | 9000          | 15000 | 39.2                     | 38.2                  | 7500          | 12000 | H71922        |
|           | 150      | 20       | 41.2                    | 40.5                  | 11000         | 18000 | 39.2                     | 38.2                  | 9500          | 16000 | H71922/HQ1    |
|           | 170      | 28       | 110.4                   | 139.8                 | 7000          | 11000 | 104.4                    | 132.8                 | 6700          | 10000 | 7022          |
|           | 170      | 28       | 47.8                    | 53.5                  | 9500          | 16000 | 45.2                     | 51.2                  | 8000          | 13000 | H7022         |
|           | 170      | 28       | 47.8                    | 53.5                  | 11000         | 18000 | 45.2                     | 51.2                  | 9000          | 15000 | H7022/HQ1     |
| 120       | 150      | 16       | 33.1                    | 56.9                  | 7000          | 11000 | 31.1                     | 53.7                  | 6700          | 10000 | 71824         |
|           | 165      | 22       | 73.7                    | 107.6                 | 7000          | 11000 | 69.5                     | 101.9                 | 6700          | 10000 | 71924         |
|           | 165      | 22       | 43.2                    | 44.8                  | 8500          | 14000 | 40.5                     | 42.5                  | 7500          | 12000 | H71924        |
|           | 165      | 22       | 43.2                    | 44.8                  | 10000         | 17000 | 40.8                     | 42.5                  | 9000          | 15000 | H71924/HQ1    |
|           | 180      | 28       | 112.7                   | 148.7                 | 7000          | 11000 | 106.5                    | 141.1                 | 6700          | 10000 | 7024          |
|           | 180      | 28       | 58.2                    | 64.8                  | 8500          | 14000 | 54.8                     | 61.5                  | 7500          | 12000 | H7024         |
|           | 180      | 28       | 58.2                    | 64.8                  | 10000         | 17000 | 54.8                     | 61.5                  | 9000          | 15000 | H7024/HQ1     |
| 130       | 165      | 18       | 38.7                    | 67.6                  | 6700          | 10000 | 36.3                     | 63.8                  | 6000          | 9000  | 71826         |



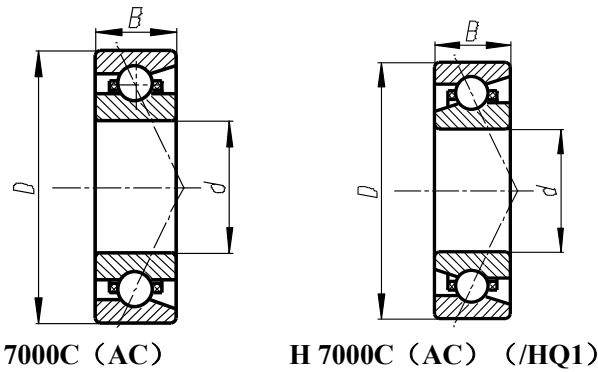
Angular Contact Ball Bearings



| Dimension |          |          | $\alpha = 15^\circ$ (C) |                       |               |       | $\alpha = 25^\circ$ (AC) |                       |               |       | bearing model |
|-----------|----------|----------|-------------------------|-----------------------|---------------|-------|--------------------------|-----------------------|---------------|-------|---------------|
|           |          |          | Rated load              |                       | Maximum speed |       | Rated load               |                       | Maximum speed |       |               |
| <i>d</i>  | <i>D</i> | <i>B</i> | <i>C<sub>r</sub></i>    | <i>C<sub>0r</sub></i> | grease        | oil   | <i>C<sub>r</sub></i>     | <i>C<sub>0r</sub></i> | grease        | oil   |               |
| mm        |          |          | KN                      |                       | r/min         |       | KN                       |                       | r/min         |       |               |
| 130       | 180      | 24       | 76.3                    | 117.1                 | 6700          | 10000 | 71.9                     | 110.9                 | 6000          | 9000  | 71926         |
|           | 180      | 24       | 53.2                    | 56.5                  | 8000          | 13000 | 50.2                     | 53.5                  | 7500          | 12000 | H71926        |
|           | 180      | 24       | 53.2                    | 56.5                  | 9000          | 15000 | 50.2                     | 53.5                  | 8000          | 14000 | H71926/HQ1    |
|           | 200      | 33       | 144.8                   | 190.8                 | 6700          | 10000 | 136.8                    | 181.0                 | 6000          | 9000  | 7026          |
|           | 200      | 33       | 58.5                    | 66.8                  | 8000          | 13000 | 55.2                     | 63.2                  | 7000          | 11000 | H7026         |
|           | 200      | 33       | 58.5                    | 66.8                  | 9000          | 15000 | 55.2                     | 63.2                  | 8000          | 13000 | H7026/HQ1     |
| 140       | 175      | 18       | 44.8                    | 79.2                  | 6000          | 9000  | 42.0                     | 74.7                  | 5600          | 8500  | 71828         |
|           | 190      | 24       | 78.9                    | 126.4                 | 6000          | 9000  | 74.4                     | 119.7                 | 5600          | 8500  | 71928         |
|           | 190      | 24       | 53.8                    | 59.2                  | 7000          | 11000 | 50.8                     | 55.8                  | 6700          | 10000 | H71928        |
|           | 190      | 24       | 53.8                    | 59.2                  | 8000          | 13000 | 50.8                     | 55.8                  | 7500          | 12000 | H71928/HQ1    |
|           | 210      | 33       | 148.7                   | 202.6                 | 6000          | 9000  | 140.4                    | 192.2                 | 5600          | 8500  | 7028          |
|           | 210      | 33       | 60.8                    | 72.5                  | 7500          | 12000 | 57.2                     | 68.8                  | 6700          | 10000 | H7028         |
|           | 210      | 33       | 60.8                    | 72.5                  | 8500          | 14000 | 57.2                     | 68.8                  | 7500          | 12000 | H7028/HQ1     |
| 150       | 190      | 20       | 51.2                    | 92.0                  | 5600          | 8500  | 48.0                     | 86.8                  | 5000          | 7500  | 71830         |
|           | 210      | 28       | 118.2                   | 175.1                 | 5600          | 8500  | 111.4                    | 165.8                 | 5000          | 7500  | 71930         |
|           | 210      | 28       | 65.2                    | 72.8                  | 6700          | 10000 | 61.5                     | 68.8                  | 6000          | 9000  | H71930        |
|           | 210      | 28       | 65.2                    | 72.8                  | 7500          | 12000 | 61.5                     | 68.8                  | 7000          | 11000 | H71930/HQ1    |
|           | 225      | 35       | 168.4                   | 232.5                 | 5600          | 8500  | 159.1                    | 220.6                 | 5000          | 7500  | 7030          |
|           | 225      | 35       | 74.8                    | 88.5                  | 6700          | 10000 | 70.5                     | 83.8                  | 6300          | 9500  | H7030         |
|           | 225      | 35       | 74.8                    | 88.5                  | 7500          | 12000 | 70.5                     | 83.8                  | 7000          | 11000 | H7030/HQ1     |
| 160       | 200      | 20       | 52.4                    | 97.7                  | 5000          | 7500  | 49.2                     | 92.2                  | 4800          | 7000  | 71832         |
|           | 220      | 28       | 123.6                   | 191.2                 | 5000          | 7500  | 116.5                    | 181.1                 | 4800          | 7000  | 71932         |
|           | 220      | 28       | 66.2                    | 75.8                  | 6000          | 9000  | 62.5                     | 71.5                  | 5600          | 8500  | H71932        |
|           | 220      | 28       | 66.2                    | 75.8                  | 7000          | 11000 | 62.5                     | 71.5                  | 6700          | 10000 | H71932/HQ1    |



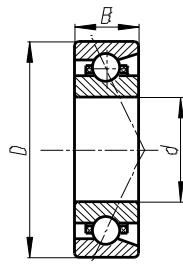
Angular Contact Ball Bearings



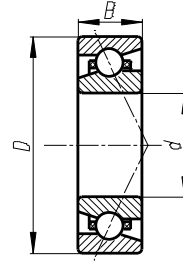
| Dimension |          |          | $\alpha = 15^\circ$ (C) |                       |               |       | $\alpha = 25^\circ$ (AC) |                       |               |      | bearing model |
|-----------|----------|----------|-------------------------|-----------------------|---------------|-------|--------------------------|-----------------------|---------------|------|---------------|
|           |          |          | Rated load              |                       | Maximum speed |       | Rated load               |                       | Maximum speed |      |               |
| <i>d</i>  | <i>D</i> | <i>B</i> | <i>C<sub>r</sub></i>    | <i>C<sub>0r</sub></i> | grease        | oil   | <i>C<sub>r</sub></i>     | <i>C<sub>0r</sub></i> | grease        | oil  |               |
| mm        |          |          | KN                      |                       | r/min         |       | KN                       |                       | r/min         |      |               |
| 160       | 240      | 38       | 189.1                   | 264.5                 | 5000          | 7500  | 178.6                    | 251.0                 | 4800          | 7000 | 7032          |
|           | 240      | 38       | 76.2                    | 94.5                  | 6000          | 9000  | 71.5                     | 89.5                  | 5600          | 8500 | H7032         |
|           | 240      | 38       | 76.2                    | 94.5                  | 6700          | 10000 | 71.5                     | 89.5                  | 6300          | 9500 | H7032/HQ1     |
| 170       | 215      | 22       | 66.5                    | 123.4                 | 4800          | 7000  | 62.4                     | 116.5                 | 4300          | 6300 | 71834         |
|           | 230      | 28       | 125.7                   | 200                   | 4800          | 7000  | 118.5                    | 189.4                 | 4300          | 6300 | 71934         |
|           | 230      | 28       | 66.8                    | 78.8                  | 5600          | 8500  | 63.2                     | 74.5                  | 5000          | 7500 | H71934        |
|           | 230      | 28       | 66.8                    | 78.8                  | 6700          | 10000 | 63.2                     | 74.2                  | 6000          | 9000 | H71934/HQ1    |
|           | 260      | 42       | 205.6                   | 299.3                 | 4800          | 7000  | 194.2                    | 284.0                 | 4300          | 6300 | 7034          |
|           | 260      | 42       | 78.2                    | 100.5                 | 5600          | 8500  | 73.5                     | 95.2                  | 5000          | 7500 | H7034         |
|           | 260      | 42       | 78.2                    | 100.5                 | 6300          | 9500  | 73.5                     | 95.2                  | 5600          | 8500 | H7034/HQ1     |
| 180       | 225      | 22       | 83.8                    | 151.6                 | 4800          | 7000  | 78.6                     | 143                   | 4300          | 6300 | 71836         |
|           | 250      | 33       | 159.7                   | 249.1                 | 4500          | 6700  | 150.6                    | 235.9                 | 4000          | 6000 | 71936         |
|           | 250      | 33       | 79.5                    | 95.2                  | 5000          | 7500  | 75.2                     | 89.8                  | 4800          | 7000 | H71936        |
|           | 250      | 33       | 79.5                    | 95.2                  | 6000          | 9000  | 75.2                     | 89.8                  | 5600          | 8500 | H71936/HQ1    |
|           | 280      | 46       | 229.5                   | 352.1                 | 4500          | 6700  | 216.8                    | 334.1                 | 4000          | 6000 | 7036          |
|           | 280      | 46       | 79.8                    | 106.8                 | 5300          | 8000  | 75.2                     | 101.2                 | 4800          | 7000 | H7036         |
|           | 280      | 46       | 79.8                    | 106.8                 | 6000          | 9000  | 75.2                     | 101.2                 | 5300          | 8000 | H7036/HQ1     |
| 190       | 240      | 24       | 100                     | 179                   | 4500          | 6700  | 94.4                     | 169.2                 | 4000          | 6000 | 71838         |
|           | 260      | 33       | 162.8                   | 260.8                 | 4300          | 6300  | 153.5                    | 247.0                 | 3800          | 5600 | 71938         |
|           | 260      | 33       | 80.5                    | 98.5                  | 4800          | 7000  | 76.2                     | 93.2                  | 4300          | 6300 | H71938        |
|           | 260      | 33       | 80.5                    | 98.5                  | 5600          | 8500  | 76.2                     | 93.2                  | 5000          | 7500 | H71938/HQ1    |
|           | 290      | 46       | 235.1                   | 370.8                 | 4300          | 6300  | 222.1                    | 351.8                 | 3800          | 5600 | 7038          |
|           | 290      | 46       | 95.2                    | 124.5                 | 4800          | 7000  | 89.8                     | 117.8                 | 4300          | 6300 | H7038         |
|           | 290      | 46       | 95.2                    | 124.5                 | 5300          | 8000  | 89.8                     | 117.8                 | 4800          | 7000 | H7038/HQ1     |



Angular Contact Ball Bearings



7000C (AC)



H 7000C (AC) (/HQ1)

| Dimension |          |          | $\alpha = 15^\circ$ (C) |                       |               |      | $\alpha = 25^\circ$ (AC) |                       |               |      | bearing model |
|-----------|----------|----------|-------------------------|-----------------------|---------------|------|--------------------------|-----------------------|---------------|------|---------------|
|           |          |          | Rated load              |                       | Maximum speed |      | Rated load               |                       | Maximum speed |      |               |
| <i>d</i>  | <i>D</i> | <i>B</i> | <i>C<sub>r</sub></i>    | <i>C<sub>0r</sub></i> | grease        | oil  | <i>C<sub>r</sub></i>     | <i>C<sub>0r</sub></i> | grease        | oil  |               |
| mm        |          |          | KN                      |                       | r/min         |      | KN                       |                       | r/min         |      |               |
| 200       | 250      | 24       | 102.5                   | 189.3                 | 4300          | 6300 | 96.2                     | 178.6                 | 3800          | 5600 | 71840         |
|           | 280      | 38       | 198.4                   | 311.4                 | 3800          | 5600 | 187.1                    | 294.9                 | 3600          | 5300 | 71940         |
|           | 280      | 38       | 82.8                    | 105.5                 | 4500          | 6700 | 78.2                     | 99.5                  | 4000          | 6000 | H71940        |
|           | 280      | 38       | 82.8                    | 105.5                 | 5000          | 7500 | 78.2                     | 99.5                  | 4500          | 6700 | H71940/HQ1    |
|           | 310      | 51       | 289.1                   | 471.4                 | 3800          | 5600 | 273.1                    | 447.3                 | 3600          | 5300 | 7040          |
|           | 310      | 51       | 96.5                    | 132.2                 | 4500          | 6700 | 90.8                     | 124.8                 | 4000          | 6000 | H7040         |
|           | 310      | 51       | 96.5                    | 132.2                 | 5000          | 7500 | 90.8                     | 124.8                 | 4500          | 6700 | H7040/HQ1     |
| 220       | 270      | 24       | 106.4                   | 209.3                 | 3800          | 5600 | 99.8                     | 197.4                 | 3400          | 5000 | 71844         |
|           | 300      | 38       | 206.6                   | 341.1                 | 3600          | 5300 | 194.8                    | 323.0                 | 3200          | 4800 | 71944         |
|           | 300      | 38       | 96.9                    | 125.4                 | 4300          | 6300 | 91.5                     | 118.4                 | 3800          | 5600 | H71944        |
|           | 300      | 38       | 96.9                    | 125.4                 | 5000          | 7500 | 91.5                     | 118.4                 | 4300          | 6300 | H71944/HQ1    |
|           | 340      | 56       | 325.3                   | 559.4                 | 3600          | 5300 | 307.3                    | 530.8                 | 3200          | 4800 | 7044          |
|           | 340      | 56       | 113.9                   | 156.5                 | 4000          | 6000 | 107.2                    | 148.1                 | 3800          | 5600 | H7044         |
|           | 340      | 56       | 113.9                   | 156.5                 | 4500          | 6700 | 107.2                    | 148.1                 | 4000          | 6000 | H7044/HQ1     |
| 240       | 300      | 28       | 145                     | 277                   | 3400          | 5000 | 136                      | 261                   | 3000          | 4500 | 71848         |
|           | 320      | 38       | 219.2                   | 384.2                 | 3200          | 4800 | 206.7                    | 363.8                 | 3000          | 4500 | 71948         |
|           | 320      | 38       | 153                     | 216                   | 3900          | 5800 | 146                      | 200                   | 3500          | 5200 | H71948        |
|           | 320      | 38       | 153                     | 216                   | 4500          | 6500 | 146                      | 200                   | 4000          | 5800 | H71948/HQ1    |
|           | 360      | 56       | 344.2                   | 623.6                 | 3200          | 4800 | 325.1                    | 591.7                 | 3000          | 4500 | 7048          |
| 260       | 320      | 28       | 148.8                   | 299.3                 | 3100          | 4600 | 139.6                    | 282.3                 | 2700          | 4100 | 71852         |
|           | 360      | 46       | 284.6                   | 528.8                 | 3000          | 4500 | 268.3                    | 500.8                 | 2600          | 4000 | 71952         |
|           | 400      | 65       | 491.1                   | 700                   | 2800          | 4300 | 462.8                    | 664.3                 | 2500          | 3900 | 7052          |
| 280       | 350      | 33       | 182                     | 363.8                 | 2800          | 4100 | 170.8                    | 343.3                 | 2400          | 3700 | 71856         |
|           | 380      | 46       | 288.7                   | 554.6                 | 2600          | 4000 | 272.2                    | 525.5                 | 2200          | 3600 | 71956         |
|           | 420      | 65       | 499                     | 739.6                 | 2500          | 3800 | 469.9                    | 701.4                 | 2100          | 3500 | 7056          |